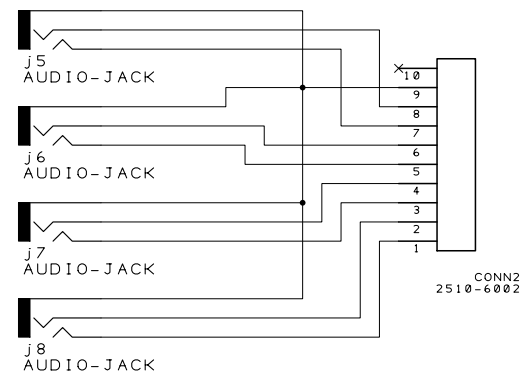
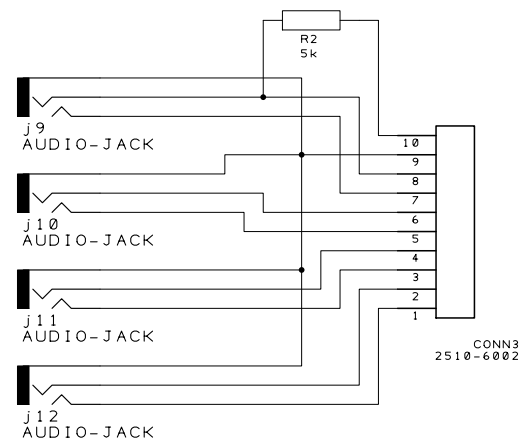
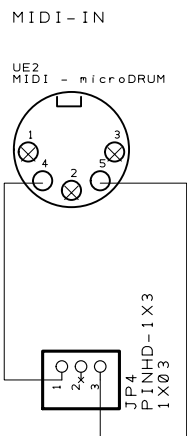
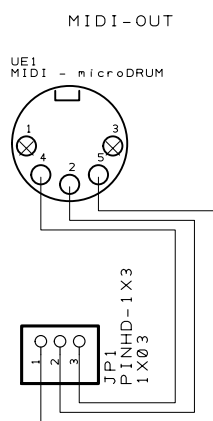


With HH Controller



Standard Jacks Connection



With Yamaha Cymbal

E	D	C	B	A	Drawn	Check	Projection Do Not Scale		Massimo Bernava	
Drn	Drn	Drn	Drn	Project	microDRUM		Client			
Chk	Chk	Chk	Chk	Title	microDRUM Jack Schema		Filename	microDRUM_Jack_v0.4.sch	Drawing No.	Sheet 1 of 1